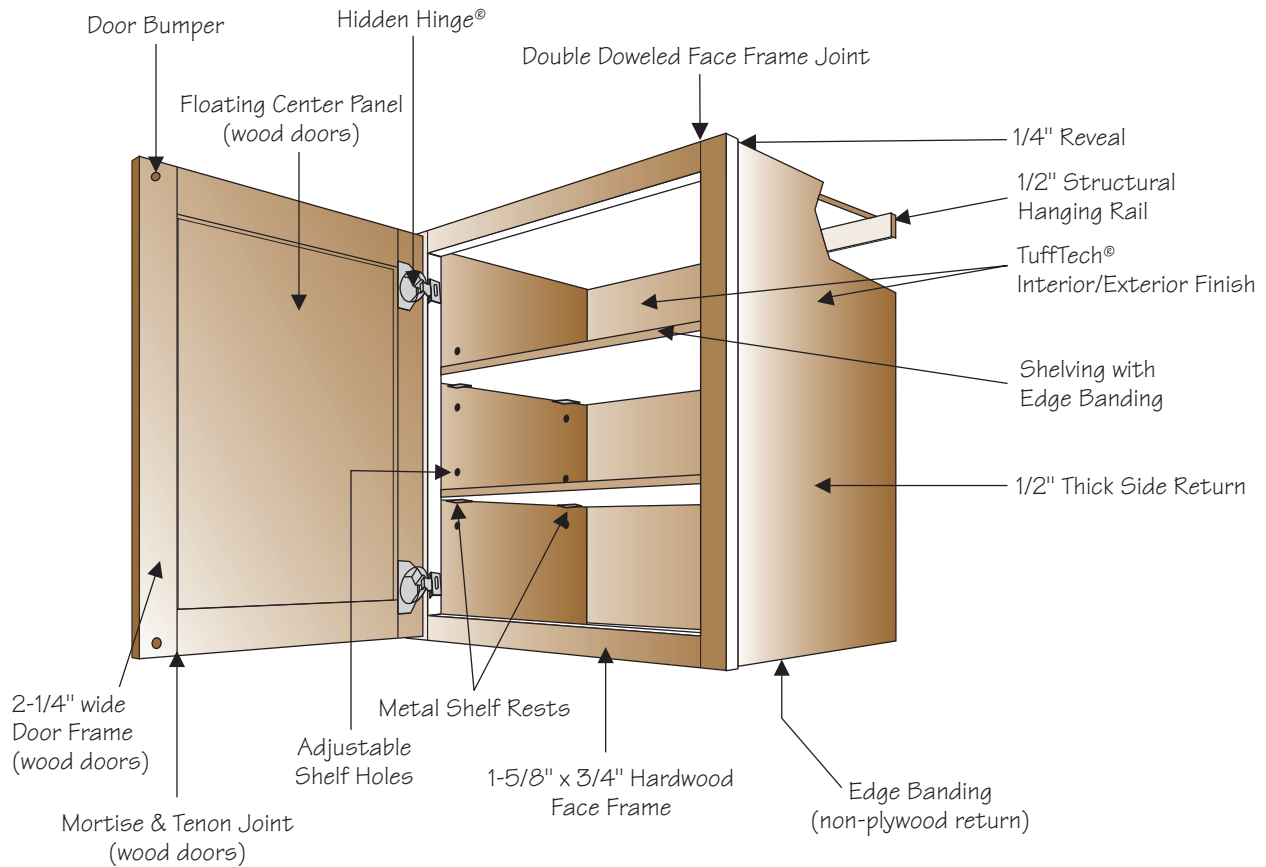


GENERAL CABINET SPECIFICATIONS

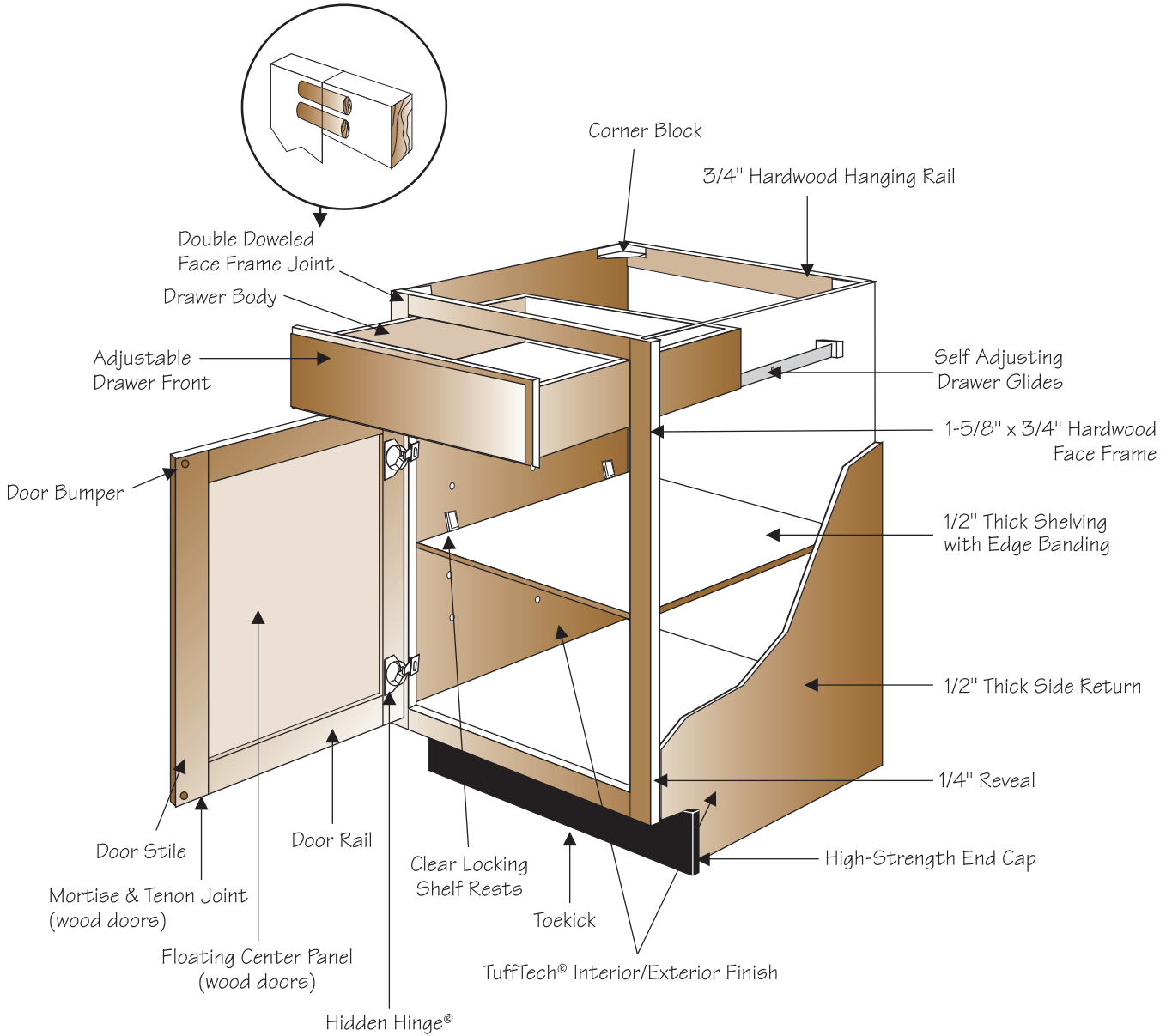
10 Cabinet Construction Wall Cabinets

Timberlake Cabinet Company wall cabinets are constructed using high quality materials and hardware. The drawing shown below illustrates and identifies the parts of a standard Timberlake wall cabinet and how the parts are put together to form a completed wall cabinet.



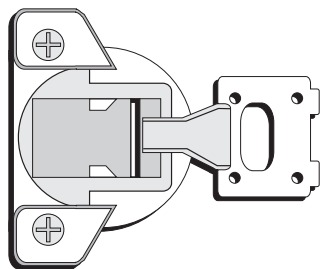
Note: Single square door cabinets are hinged left and can be reversed in the field. Single cathedral door cabinets must be specified as hinged right or left.

Timberlake Cabinet Company base cabinets are constructed using high quality materials and hardware. The drawing shown below illustrates and identifies the parts of a standard Timberlake Portfolio base cabinet and how the parts are put together to form a completed base cabinet.



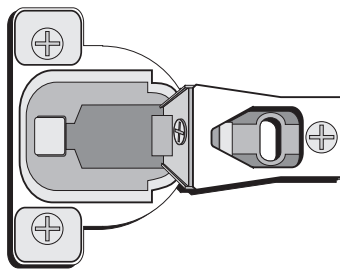
Note: Base single door cabinets are hinged left and can be reversed in the field.

Standard Overlay (SOL) Door Hinge



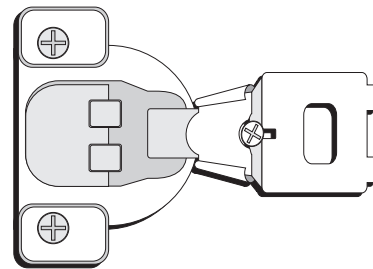
All steel construction, 110 degrees of door swing and self-closing feature that closes door automatically at approximately 10-15 degrees open. Features 1/4" of vertical adjustment and approximately 1/8" frame-to-door gap. Meets or exceeds industry standards for durability. Standard on all SOL Value-Built by Timberlake and Timberlake Portfolio door styles.

6 Way Adjustable (SOL) Door Hinge



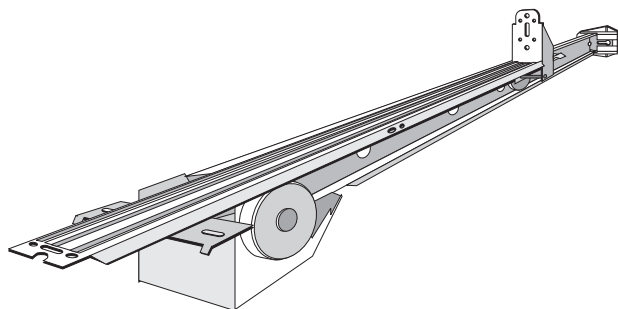
All of the same features of the Standard Overlay Hinge but with the addition of full six-way adjustability. Allows superior alignment of door on cabinet with 1/4" of up/down adjustment, 3/16" side-to-side adjustment and 3/16" in/out adjustment. Meets or exceeds industry standards for durability. Standard on all SOL Timberlake Portfolio Select door styles.

Full Overlay (FOL) Door Hinge



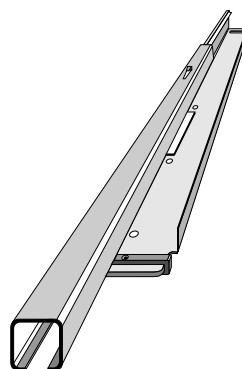
All steel construction, 110 degrees of door swing and self-closing feature that closes door at approximately 10-15 degrees open. Less than 3/16" frame-to-door gap. Linear screw adjustment allows 3/16" side-to-side adjustment and unique oversized screw slot allows 1/4" up/down adjustment and 1/16" in/out adjustment. Meets or exceeds industry standards for durability. Standard on all Full Overlay door styles.

Undermount Hidden Glide



The Undermount Hidden Glide system features twin, self-aligning undermounted glides. They are constructed of epoxy coated steel for quiet opening and closing. Rollers are made of Delrin for smooth operation. Meets or exceeds industry standards for durability. Standard on all Timberlake Portfolio door styles.

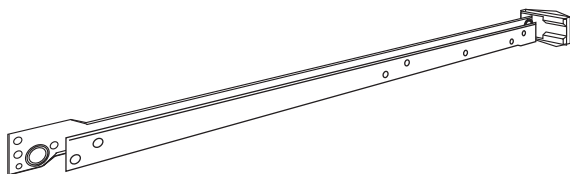
Full Access Hidden Glides® System



The new and improved one-piece Full Access Hidden Glides® System is quieter and 40% more rigid and allows for up to 25% more drawer access while providing self-closing convenience and smooth, quiet, dependable performance. Meets or exceeds industry standards for durability.

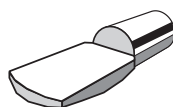
For styles with the Full Access Glide System, the glides are on all 24" deep base cabinets. Standard on all Timberlake Portfolio Select door styles and available as an upgrade option on Timberlake Portfolio.

Side Mount Drawer Glide



This glide system features twin self-aligning side-mounted glides. They are constructed of epoxy coated steel for quiet opening and closing. Rollers are made of Delrin for smooth operation. Meets or exceeds industry standards for durability. Standard drawer rail system on the Value-Built by Timberlake door styles, all Vanities, 21" deep desk cabinets and sliding shelves.

Metal Shelf Rest



1/4" steel and nickel plated. Standard feature on all wall cabinets.

Base Locking Shelf Rest



Locks base shelves in place and prevents shelves from sliding. Designed to allow easy shelf removal. Standard on all base cabinets. Molded from clear high-strength polycarbonate.

Door Construction

Wood doors consist of door frames constructed from kiln-dried 3/4" solid oak, hickory, maple or cherry, with mortise-and-tenon joints and floating center panels constructed of veneered or solid wood. White Thermo Foil door styles are constructed from 3/4" MDF (5/8" MDF in Value-Built by Timberlake) wrapped with rigid white Thermo Foil on the face and melamine on the back. Melamine door styles are constructed from 5/8" engineered wood covered with melamine on the front and back.

Cabinet Front Face Frames

Cabinet front face frames are made from 3/4" x 1-5/8" solid hardwood. They are kiln-dried to prevent warping. Face frame joints are pressure fitted, glued, double doweled and stapled.

Cabinet Side Panels

Cabinet side panels are 1/2" thick and made of 45 lb. density engineered wood with our rigorous multi-step TuffTech® UV-cured finish. They are captured into a grooved front face frame and secured using high-strength fasteners and glue.

Cabinet Tops, Bottoms and Floors

Tops, bottoms and floors are 1/2" thick and made from 45 lb. density engineered wood. They are finished with our TuffTech® finishing process. They are fitted and glued into the cabinet front face frame grooves and are captured in the grooves of the cabinet side panels.

Cabinet Back

The cabinet back is made from 1/8" thick hardboard substrate. The inside cabinet surface is finished with our TuffTech® finishing process.

Hanging Rails

The base and vanity top hanging rail is 3/4" thick solid wood, mortise and tenoned and glued into the cabinet side panels. The wall cabinet hanging rails are 1/2" thick 45 lb. engineered wood, glued and pinned into the cabinet back, cabinet side panels and top/bottom.

Wall Cabinet Shelves

Wall cabinet shelves are 3/4" thick (1/2" in Value-Built by Timberlake door styles) 45 lb. engineered wood with our TuffTech® finishing process. They are edgebanded with melamine. All shelves are adjustable. The shelves meet or exceed KCMA load standards of 15 pounds per square foot.

Base Cabinet Shelves

Base cabinet shelves are 1/2" thick 45 lb. engineered wood with our TuffTech® finishing process. They are edgebanded along the front edge with melamine. All shelves are adjustable. The shelves meet or exceed KCMA load standards of 15 pounds per square foot.

Drawers

Premium dovetail hardwood drawer is standard on Timberlake Portfolio Select and optional on Timberlake Portfolio door styles. Dovetail drawers feature 5/8" sides, fronts and backs with precision dovetail joints at all corners and plywood bottom panel. (Not available in Value-Built by Timberlake.)

Engineered wood drawer is standard on Value-Built by Timberlake and Timberlake Portfolio door styles. It features 1/2" engineered wood with a print finish on wood door styles and a melamine finish on white door styles, rabbeted, glued and stapled.

Drawer Systems

The Full Access Hidden Glide System is standard on the Timberlake Portfolio Select door styles, and available as an upgrade option in Timberlake Portfolio.

All Timberlake Portfolio door styles come standard with the undermount glide system.

The Value-Built by Timberlake door styles, vanities, and slide-out shelves feature our epoxy coated, double side mounted, self-closing roller drawer glides.

Corner Blocks

Corner blocks are attached to help insure cabinet squareness and allow for proper countertop installation.

Hinges

Fully concealed, self closing, Hidden Hinges™ are standard on all door styles.

Toekick

Toekicks are made of 1/2" 45 lb. engineered wood that is finished in black. White door styles receive white toekick.

Miscellaneous

In keeping with our policy of continuous product refinement, Timberlake Cabinet Company reserves the right to change specifications in design and materials as conditions require.