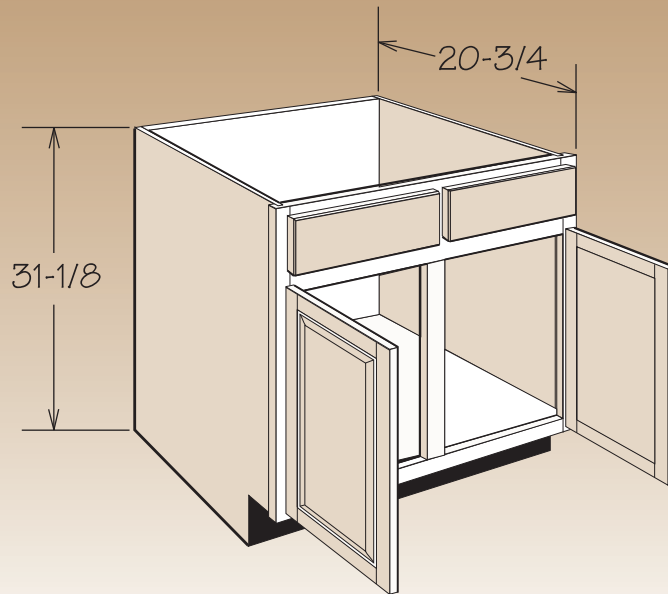


VANITY CABINET DESCRIPTION

Vanity Cabinets range in size from 15" to 60" wide, 18" to 20-3/4" deep and 31-1/8" or 34-1/2" high.

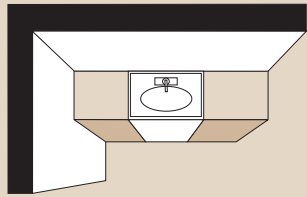
Vanity Cabinet Coding:

VSB **36**
Cabinet Type (ex: VSB=Vanity Sink Base) width in inches



Construction Options & Modifications Code:

RD.....Reduced Depth
TPS.....TuffTech™ Plywood Sides



Top View

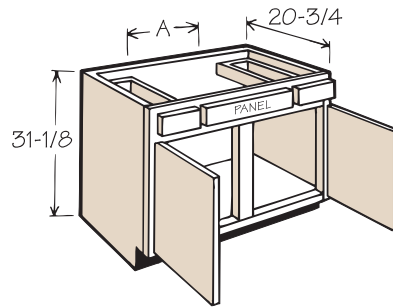
Standard Vanity Cabinets

Standard vanity cabinets are either 31-1/8" or 34-1/2" high, 15" to 60" wide and 18" to 20-3/4" deep.

Note: Cathedral doors are not available in base and vanity cabinets.

Vanity single door cabinets are hinged left but can be reversed in the field.

Vanity - 2 doors

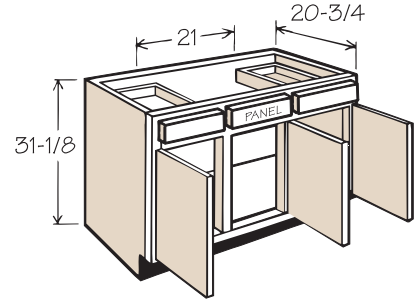


VAN36
VAN42

- RD
- TPS

- Uses sidemounted drawer glides.
- Top drawer on both sides of sink bowl.
- Interior depth: 19-1/4".
- VAN36 A = 17"
- VAN42 A = 21"
- No shelf.

Vanity - 3 doors

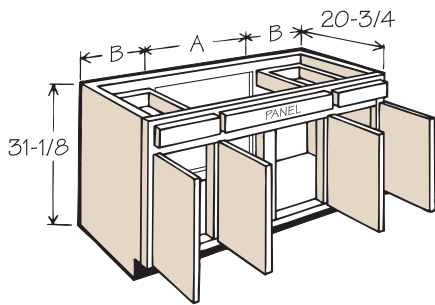


VAN48

- RD
- TPS

- Uses sidemounted drawer glides.
- Top drawer on both sides of sink bowl.
- Interior depth: 19-1/4".
- No shelf.

Vanity - 4 doors

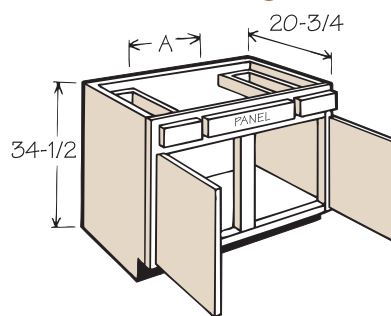


VAN54
VAN60

- RD
- TPS

- Uses sidemounted drawer glides.
- Sink section has open area for plumbing access.
- Has a top drawer on both sides of sink bowl.
- Interior depth: 19-1/4".
- VAN54 A = 12" B = 30"
- VAN60 A = 15" B = 30"
- No shelf.

Vanity - 2 doors 34-1/2" high

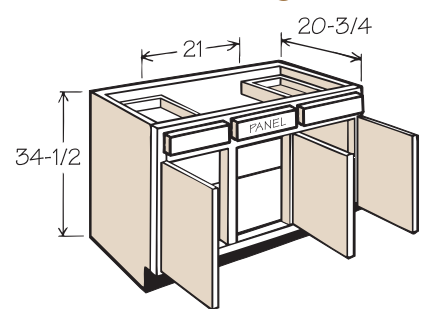


VAN3634H
VAN4234H

- RD
- TPS

- Uses sidemounted drawer glides.
- Top drawer on both sides of sink bowl.
- Interior depth: 19-1/4".
- VAN36 A = 17"
- VAN42 A = 21"
- Base Height is 34 1/2".
- No shelf.

Vanity - 3 doors 34-1/2" high

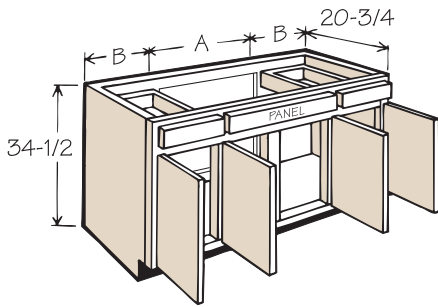


VAN4834H

- RD
- TPS

- Uses sidemounted drawer glides.
- Top drawer on both sides of sink bowl.
- Interior depth: 19-1/4".
- Base Height is 34-1/2".
- No shelf.

Vanity - 4 doors 34-1/2" high

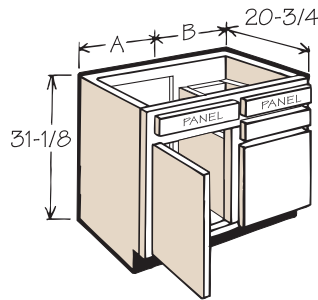


VAN5434H
VAN6034H

● RD
● TPS

- Uses sidemounted drawer glides.
- Sink section has open area for plumbing access.
- Has a top drawer on both sides of sink bowl.
- Interior depth: 19-1/4".
- VAN54 B = 12" A = 30".
- VAN60 B = 15" A = 30".
- Base Height is 34-1/2".
- No shelf.

Vanity Combo - 31-1/8" high

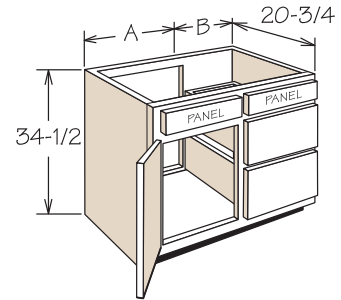


VSDB24
VSDB30
VSDB36

● RD
● TPS

- Uses sidemounted drawer glides.
- Sink section has open area for plumbing access.
- Allow for plumbing around drawers.
- Drawers available on right or left side (please specify).
- Cabinet shown is right indicating drawers on the right side of the cabinet.
- VSDB24 A = 12" B = 12".
- VSDB30 A = 18" B = 12".
- VSDB36 A = 21" B = 15".
- Subtract 1-1/2" from depth and width for sink bowl opening.
- No shelf.

Vanity Combo - 34-1/2" high

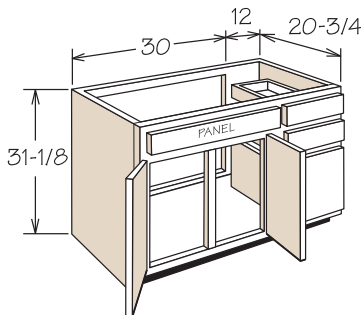


VSDB2434H
VSDB3034H
VSDB3634H

● RD
● TPS

- Uses sidemounted drawer glides.
- Sink section has open area for plumbing access.
- Allow for plumbing around drawers.
- Drawers available on right or left side (please specify).
- Cabinet shown is right indicating drawers on the right side of the cabinet.
- VSDB24 A = 12" B = 12".
- VSDB30 A = 18" B = 12".
- VSDB36 A = 21" B = 15".
- Subtract 1-1/2" from depth and width for sink bowl opening.
- No shelf.

Vanity Combo - 31-1/8" high

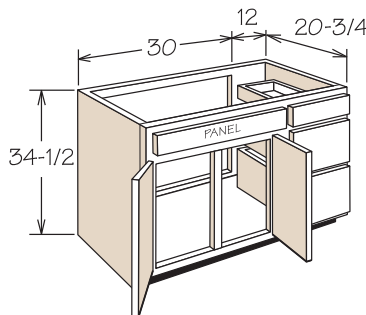


VSDB42

● RD
● TPS

- Uses sidemounted drawer glides.
- Sink section has open area for plumbing access.
- Allow for plumbing around drawers.
- Drawers available on right or left side (please specify).
- Cabinet shown is right indicating drawers on the right side of the cabinet.
- No shelf.
- Requires off center bowl.

Vanity Combo - 34-1/2" high

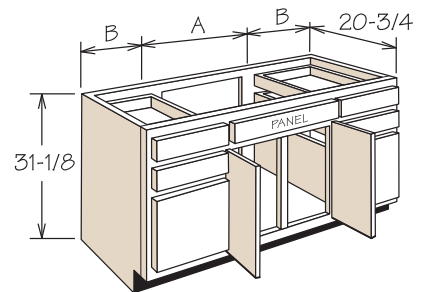


VSDB4234H

● RD
● TPS

- Uses sidemounted drawer glides.
- Sink section has open area for plumbing access.
- Allow for plumbing around drawers.
- Drawers available on right or left side (please specify).
- Cabinet shown is right indicating drawers on the right side of the cabinet.
- No shelf.
- Requires off center bowl.

Vanity Combo - 31-1/8" high



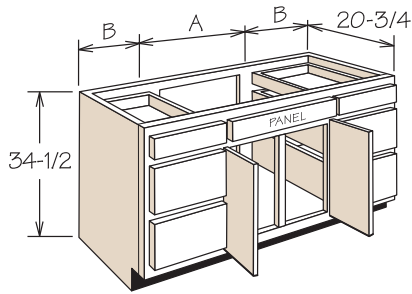
VSDB48D*
VSDB54D*
VSDB60D

● RD
● TPS

- Uses sidemounted drawer glides.
- Sink section has open area for plumbing access.
- Allow for plumbing around drawers.
- VSDB48D: B = 12" A = 24".
- VSDB54D: B = 15" A = 24".
- VSDB60D: B = 15" A = 30".
- No shelf.

* 2 doors with batten – no center stile.

Vanity Combo - 34-1/2" high



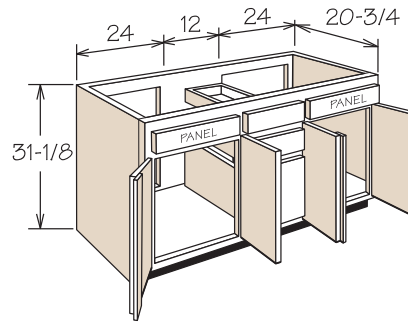
VSDB4834HD*
VSDB5434HD*
VSDB6034HD

● RD
● TPS

- Uses sidemounted drawer glides.
- Sink section has open area for plumbing access.
- Allow for plumbing around drawers.
- VSDB4834HD: B=12" A=24".
- VSDB5434HD: B=15" A=24".
- VSDB6034HD: B=15" A=30".
- No shelf.

* 2 doors with batten – no center stile.

**Vanity Combo
Center Drawers - 31-1/8" high**

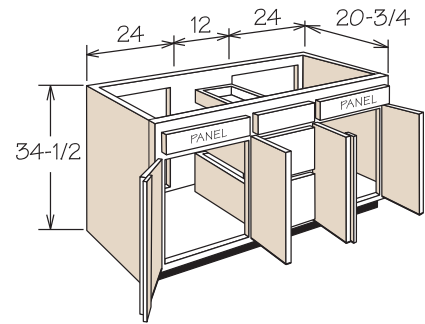


VSDB60C

● RD
● TPS

- Uses sidemounted drawer glides.
- Sink section has open area for plumbing access.
- Interior depth is 19-1/4".
- No shelf.

**Vanity Combo
Center Drawers - 34-1/2" high**

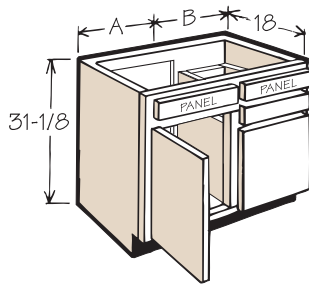


VSDB6034HC

● RD
● TPS

- Uses sidemounted drawer glides.
- Sink section has open area for plumbing access.
- Interior depth is 19-1/4".
- No shelf.

**Vanity Combo
31-1/8" high x 18" deep**

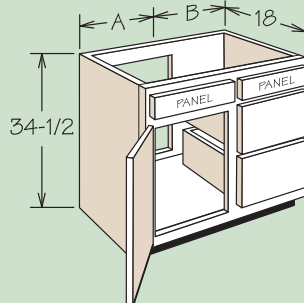


VSDB2418
VSDB3018
VSDB3618

● RD
● TPS

- Uses sidemounted drawer glides.
- Sink section has open area for plumbing access.
- Allow for plumbing around drawers.
- Drawers available on right or left side (please specify).
- Cabinet shown is right indicating drawers on the right side of the cabinet.
- VSDB2418 A = 12" B = 12".
- VSDB3018 A = 18" B = 12".
- VSDB3618 A = 21" B = 15".
- Subtract 1-1/2" from depth and width for sink bowl opening.
- No shelf.

**Vanity Combo
34-1/2" high x 18" deep**

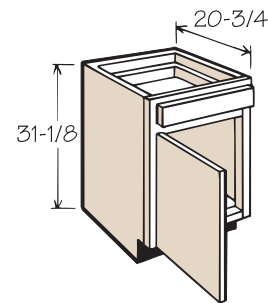


VSDB241834H
VSDB301834H
VSDB361834H

● RD
● TPS

- Uses sidemounted drawer glides.
- Sink section has open area for plumbing access.
- Allow for plumbing around drawers.
- Drawers available on right or left side (please specify).
- Cabinet shown is right indicating drawers on the right side of the cabinet.
- VSDB241824 A = 12" B = 12".
- VSDB301834 A = 18" B = 12".
- VSDB361834 A = 21" B = 15".
- Subtract 1-1/2" from depth and width for sink bowl opening.
- No shelf.

Vanity Base - 1 door

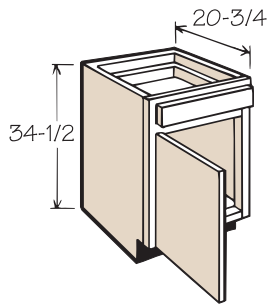


VB12
VB15
VB18
VB21

● RD
● TPS

- Uses sidemounted drawer glides.
- 1 drawer.
- No shelf.

Vanity Base - 1 door 34-1/2" high

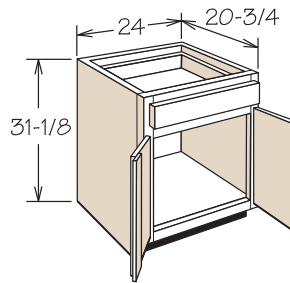


VB1234H
VB1534H
VB1834H
VB2134H

● RD
● TPS

- Uses sidemounted drawer glides.
- 1 drawer.
- Base Height is 34-1/2".
- No shelf.

Vanity Base - 2 doors

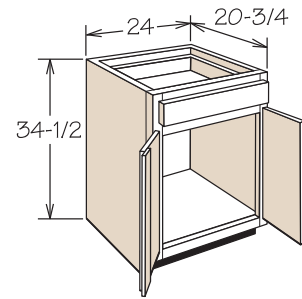


VB24

● RD
● TPS

- Uses sidemounted drawer glides.
- 1 large drawer.
- 2 doors with batten. – No center stile.
- No shelf.
- Interior depth: 19-1/4".

Vanity Base - 2 doors 34-1/2" high

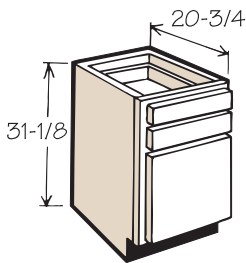


VB2434H

● RD
● TPS

- Uses sidemounted drawer glides.
- 1 large drawer.
- 2 doors with batten. – No center stile.
- No shelf.
- Interior depth: 19-1/4".

Vanity Drawer Base

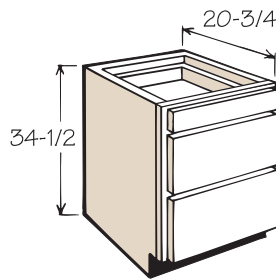


VDB12
VDB15
VDB18
VDB24

● RD
● TPS

- Uses sidemounted drawer glides.
- 2 standard-depth and 1 deep drawer.

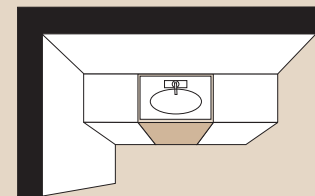
Vanity Drawer Base 34-1/2" high



VDB1234H
VDB1534H
VDB1834H
VDB2434H

● RD
● TPS

- Uses sidemounted drawer glides.
- 1 standard-depth and 2 deep drawers.



Top View

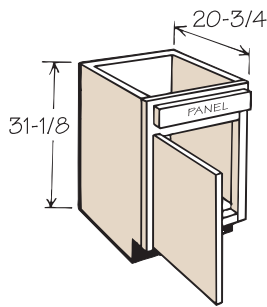
Vanity Sink Base Cabinets

Sink base vanity cabinets are either 31-1/8" or 34-1/2" high, 15" to 60" wide and 20-3/4" deep.

Note: Cathedral doors are not available in base and vanity cabinets.

Vanity single door cabinets are hinged left but can be reversed in the field.

Vanity Sink Base
1 door/1 panel

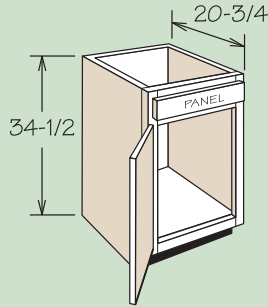


VSB15
VSB18
VSB21

● RD
● TPS

- Subtract 1-1/2" from depth and width for available sink bowl opening.
- No shelf.

Vanity Sink Base
1 door/1 panel - 34-1/2" high

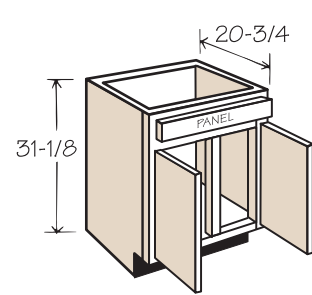


VSB1534H
VSB1834H
VSB2134H

● RD
● TPS

- Subtract 1-1/2" from depth and width for available sink bowl opening.
- Base Height is 34-1/2".
- No shelf.

Vanity Sink Base
2 doors/1 panel

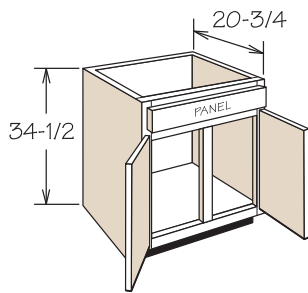


VSB24*
VSB27
VSB30
VSB33

● RD
● TPS

- Subtract 1-1/2" from depth and width for available sink bowl opening.
- No shelf.
- * Has 2 doors with batten – no center stile.

Vanity Sink Base
1 door/1 panel - 34-1/2" high

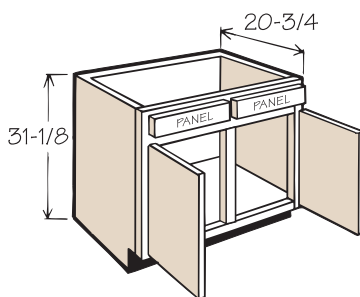


VSB2434H
VSB3034H
VSB2734H
VSB3334H

● RD
● TPS

- Subtract 1-1/2" from depth and width for available sink bowl opening.
- Base Height is 34-1/2".
- No shelf.

Vanity Sink Base
2 doors/2 panels

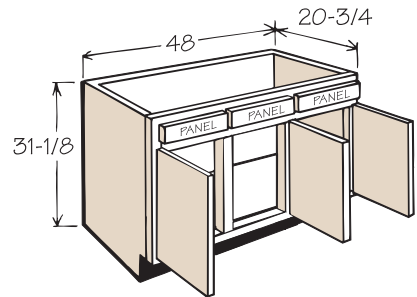


VSB36
VSB42

● RD
● TPS

- Subtract 1-1/2" from depth and width for available sink bowl opening.
- No shelf.

Vanity Sink Base
3 doors/3 panels

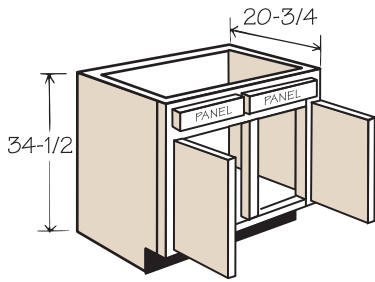


VSB48

● RD
● TPS

- Subtract 1-1/2" from depth and width for available sink bowl opening.
- No shelf.

Vanity Sink Base
2 doors/2 panels - 34-1/2" high



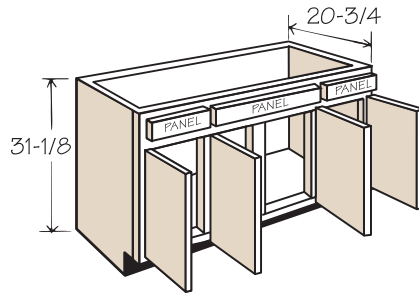
VSB3634H
VSB4234H
VSB4834H*

● RD
● TPS

- Subtract 1-1/2" from depth and width for available sink bowl opening.
- Base Height is 34-1/2".
- No shelf.

* Has 3 doors and 3 panels.

Vanity Sink Base
4 doors/3 panels

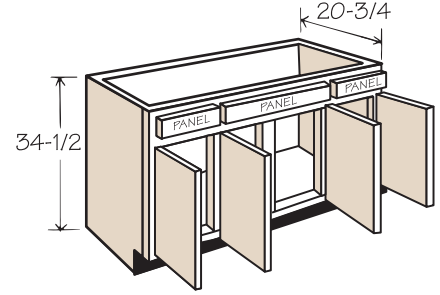


VSB54

● RD
● TPS

- Subtract 1-1/2" from depth and width for available sink bowl opening.
- No shelf.

Vanity Sink Base
4 doors/3 panels - 34-1/2" high

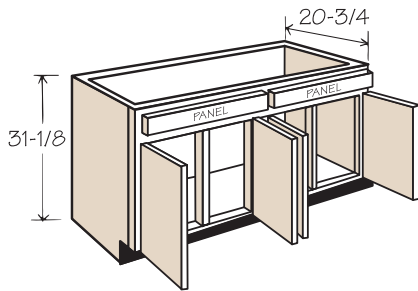


VSB5434H

● RD
● TPS

- Subtract 1-1/2" from depth and width for available sink bowl opening.
- Base Height is 34-1/2".
- No shelf.

Vanity Sink Base
4 doors/2 panels

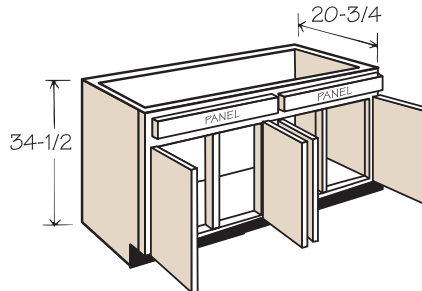


VSB60

● RD
● TPS

- Subtract 1-1/2" from depth and width for available sink bowl opening.
- No shelf.

Vanity Sink Base
4 doors/2 panels - 34-1/2" high

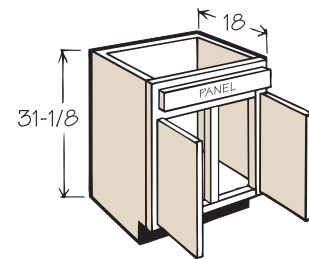


VSB6034H

● RD
● TPS

- Subtract 1-1/2" from depth and width for available sink bowl opening.
- Base Height is 34-1/2".
- No shelf.

Vanity Sink Base - 18" deep
2 doors/1 panel



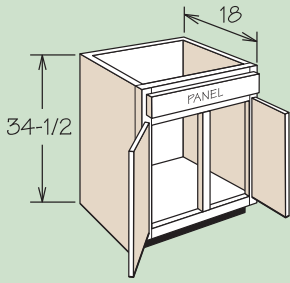
VSB2418*
VSB3018
VSB3618**

● RD
● TPS

- Subtract 1-1/2" from depth and width for available sink bowl opening.
- No shelf.

* Has 2 doors with batten.
** Has 2 panels.

Vanity Sink Base
18" deep - 34-1/2" high

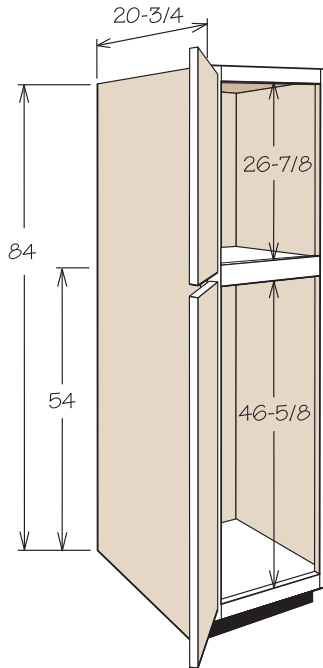


VSB241834H
VSB301834H
VSB361834H*

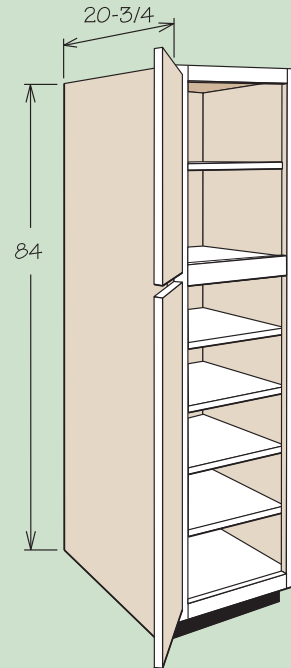
- RD
- TPS

- Subtract 1-1/2" from depth and width for available sink bowl opening.
- No shelf.
- Base Height is 34-1/2" high.
- * Has 2 panels.

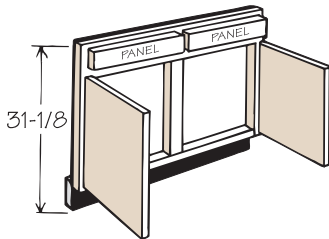
Vanity Linen Cabinet



Vanity Linen Cabinet with Adjustable Shelves



Vanity Sink Front



VSF21
VSF24
VSF30
VSF36
VSF42
VSF48

- VSF21 has 1 panel and 1 door.
- VSF24 has 1 panel and 2 doors with batten.
- VSF30 has 1 panel and 2 doors.
- VSF36 and VSF42 as shown.
- VSF48 has 3 panels and 3 doors.
- Order floors and returns separately. (Trimming may be required.) See Panel Section for availability.

VLC182184

- RD
- TPS

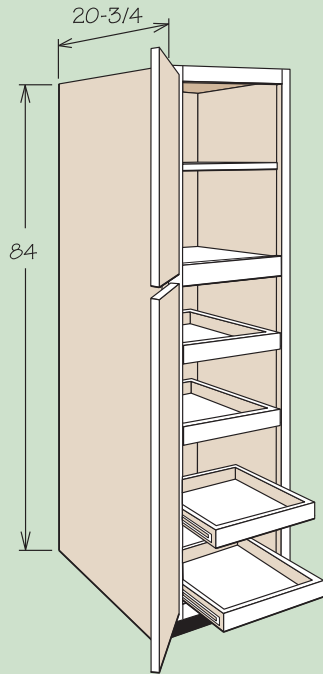
- Cabinet back is pre-drilled to accept up to 4 slide-out units in lower section.
- Shelves can be ordered separately. See Tall Cabinet Accessories for details.

VLC182184 AS

- RD
- TPS

- Has one full depth, 3/4" shelf in the top and 4 full depth shelves in the bottom which are packaged separately.

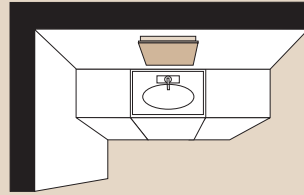
Vanity Linen Cabinet with Sliding Shelves



VLC182184 4SSK

- RD
- TPS

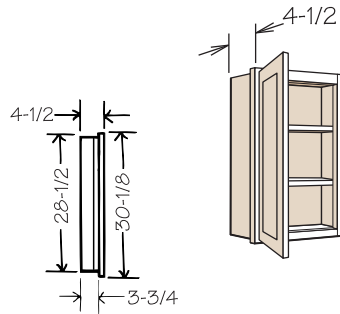
- Has one full depth, 3/4" shelf in the top and 4 sliding shelves in the bottom which are packaged separately.



Top View

Vanity Cabinet Accessories

Medicine Cabinet

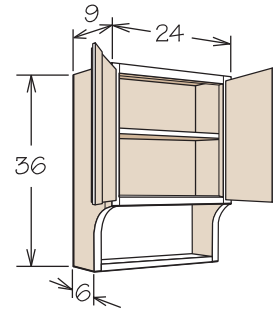


MC1530
MCM1530*

- 2 adjustable engineered wood shelves.
- Surface or recess mount.
- Cut out dimensions for recess mounting: 14-1/2" x 28-1/2".
- MCM1530 comes with a mirrored door.
- For surface mount application on wood cabinet door styles, order WEP30 and trim to make exterior side match cabinet frame.

* Not available in Maple Frost or Oak Frost.

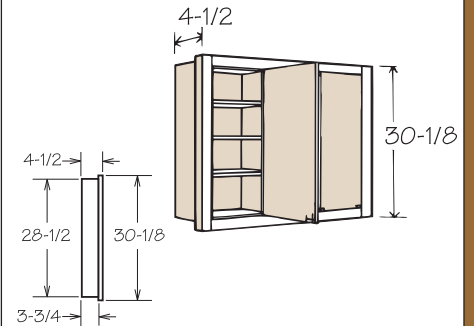
Valet Cabinet



VC2436

- Matching interior standard.
- Bottom opening is 22-1/2" x 10-7/8".
- Includes a fixed shelf.
- 2 doors with batten.
- Solid hardwood sides and bottom shelf.

Tri-View Mirror



TV3030
TV3630

- For surface mount application on wood cabinet door styles, order WEP30 and trim to make exterior side match cabinet frame.
- All 3 mirrored doors swing open for easy access to the 6 adjustable shelves.
- Surface or recess mount
- Box depth: 3-3/4".
- Cut out dimensions for recess mounting:
TV3030 = 28-1/2" x 28-1/2".
TV3630 = 34-1/2" x 28-1/2".
- Nickel hardware.

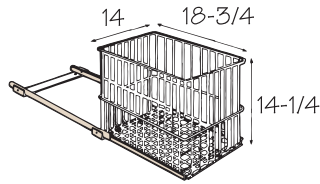
Contemporary Bar Light



CBL30
CBL36

- Polished brass finish surrounded by solid wood frame.
- Bulbs shown not included.
- Surface or recess mount.
- Cut out dimensions for recess mounting:
CBL30 = 26-1/4" x 4-1/4".
CBL36 = 32-1/4" x 4-1/4".

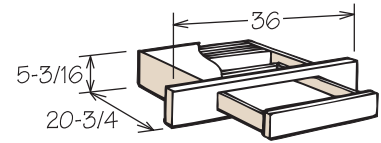
Vanity Hamper Kit



VHK18

- For use inside cabinets offering a 15" or wider opening.
- Includes all hardware for mounting.
- White epoxy coated.
- Accessories are not sized to fit reduced depth cabinets.

Kneehole Drawer



KDC36

● RD

- 5-3/16" high for use with desk cabinets or vanities.
- Trimmable up to 7-1/2" on each side and trimmable in depth to 18" deep.
- Uses sidemounted drawer glides.